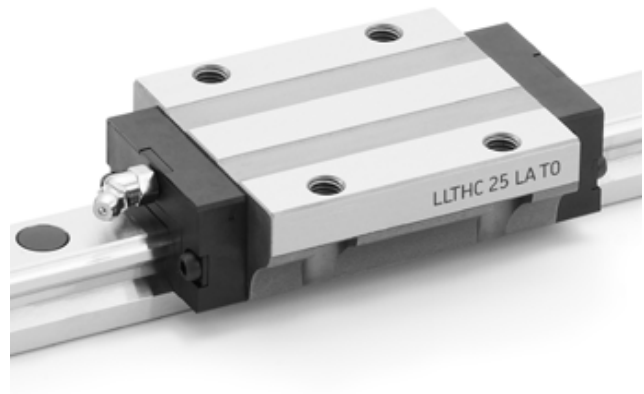


### 3.1.3 Carriage LLTHC ... LA

Flanged carriage, short length, standard height.

Carriages from size 20 to 30 are also available with low friction S0 shield. Dimensions are the same as standard version. For designation, refer to **Ordering key carriages** (↳ page 103).



#### Technical data

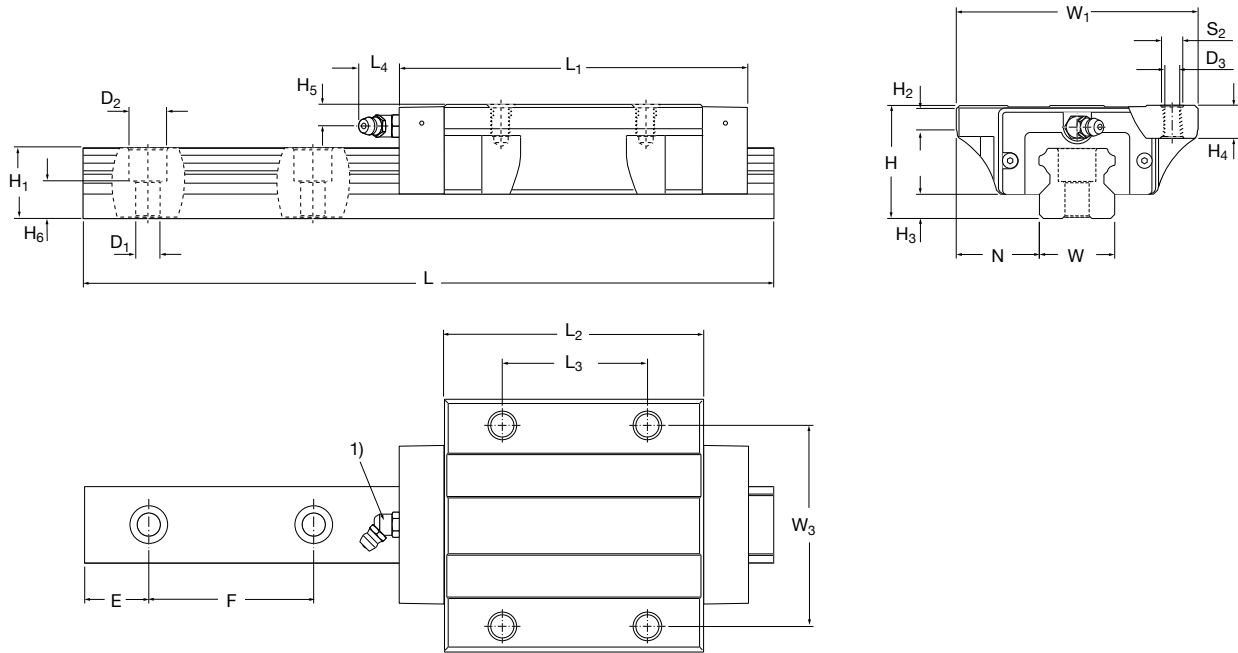
Size	Precision class	Designation <sup>1)</sup> Preload class T0	T1	T2
-		-		
20	P5	LLTHC 20 LA T0 P5	LLTHC 20 LA T1 P5	LLTHC 20 LA T2 P5
	P3	LLTHC 20 LA T0 P3	LLTHC 20 LA T1 P3	LLTHC 20 LA T2 P3
	P1		LLTHC 20 LA T1 P1	LLTHC 20 LA T2 P1
25	P5	LLTHC 25 LA T0 P5	LLTHC 25 LA T1 P5	LLTHC 25 LA T2 P5
	P3	LLTHC 25 LA T0 P3	LLTHC 25 LA T1 P3	LLTHC 25 LA T2 P3
	P1		LLTHC 25 LA T1 P1	LLTHC 25 LA T2 P1
30	P5	LLTHC 30 LA T0 P5	LLTHC 30 LA T1 P5	LLTHC 30 LA T2 P5
	P3	LLTHC 30 LA T0 P3	LLTHC 30 LA T1 P3	LLTHC 30 LA T2 P3
	P1		LLTHC 30 LA T1 P1	LLTHC 30 LA T2 P1
35	P5	LLTHC 35 LA T0 P5	LLTHC 35 LA T1 P5	LLTHC 35 LA T2 P5
	P3	LLTHC 35 LA T0 P3	LLTHC 35 LA T1 P3	LLTHC 35 LA T2 P3
	P1		LLTHC 35 LA T1 P1	LLTHC 35 LA T2 P1
45	P5	LLTHC 45 LA T0 P5	LLTHC 45 LA T1 P5	LLTHC 45 LA T2 P5
	P3	LLTHC 45 LA T0 P3	LLTHC 45 LA T1 P3	LLTHC 45 LA T2 P3
	P1		LLTHC 45 LA T1 P1	LLTHC 45 LA T2 P1

<sup>1)</sup> • Preferred range.

• Only available as system.

For designation, please refer to designation system.

Dimensional drawing



Size	Assembly dimensions					Carriage dimensions									
	W <sub>1</sub>	N	H	H <sub>2</sub>	H <sub>3</sub>	L <sub>1</sub>	L <sub>2</sub>	L <sub>3</sub>	L <sub>4</sub>	W <sub>3</sub>	H <sub>4</sub>	H <sub>5</sub>	D <sub>3</sub>	S <sub>2</sub>	
20	63	21,5	30	6,9	5	89,5	66,2	40	15	53	9	5,7	5,2	M6	
25	70	23,5	36	11	7	106,5	79,1	45	16,6	57	12	6,5	6,7	M8	
30	90	31	42	9	9	125,4	92,4	52	14,6	72	11,5	8	8,5	M10	
35	100	33	48	12,3	9,5	142,9	105,5	62	14,6	82	13	8	8,5	M10	
45	120	37,5	60	12,3	14	168,5	128	80	14,6	100	15	8,5	10,4	M12	

Size	Rail dimensions									Weight carriage rail		Load ratings 2)		Moments 2)			
	W	H <sub>1</sub>	H <sub>6</sub>	F	D <sub>1</sub>	D <sub>2</sub>	E <sub>min</sub> -0,75	E <sub>max</sub> -0,75	L <sub>max</sub> -1,5	kg	kg/m	dynamic C	static C0	dynamic M <sub>xc</sub>	static M <sub>xc0</sub>	dynamic M <sub>yc</sub> =M <sub>zc/z</sub>	static M <sub>yc0</sub> =M <sub>zc0</sub>
20	20	18	9,3	60	6	9,5	10	50	3 920	0,52	2,3	15 200	32 700	137	295	150	322
25	23	22	12,3	60	7	11	10	50	3 920	0,72	3,3	24 400	44 600	252	460	287	525
30	28	26	13,8	80	9	14	12	70	3 944	1,4	4,8	33 900	60 800	428	767	466	836
35	34	29	17	80	9	14	12	70	3 944	2	6,6	45 000	79 400	694	1 224	706	1 246
45	45	38	20,8	105	14	20	16	90	3 917	3,6	11,3	72 400	121 400	1 485	2 491	1 376	2 308

<sup>1)</sup> For detailed information on grease nipples, please refer to page 70.

<sup>2)</sup> Dynamic load capacities and moments are based on a travel life of 100 km. Please refer to page 15 for further details.